

aquatica®

Function, Form & Fashion



Lorena-SC-608 & Lorena-SC-610

Shower Controls with 2 and 3 Outlets

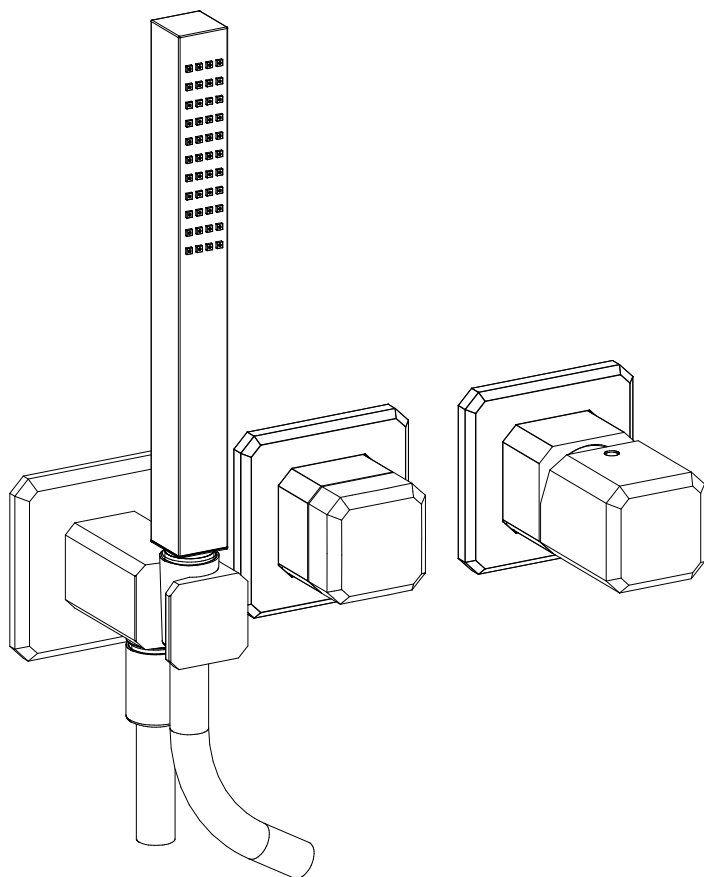
Installation & Care Manual
Europe / International

Lorena-SC-608

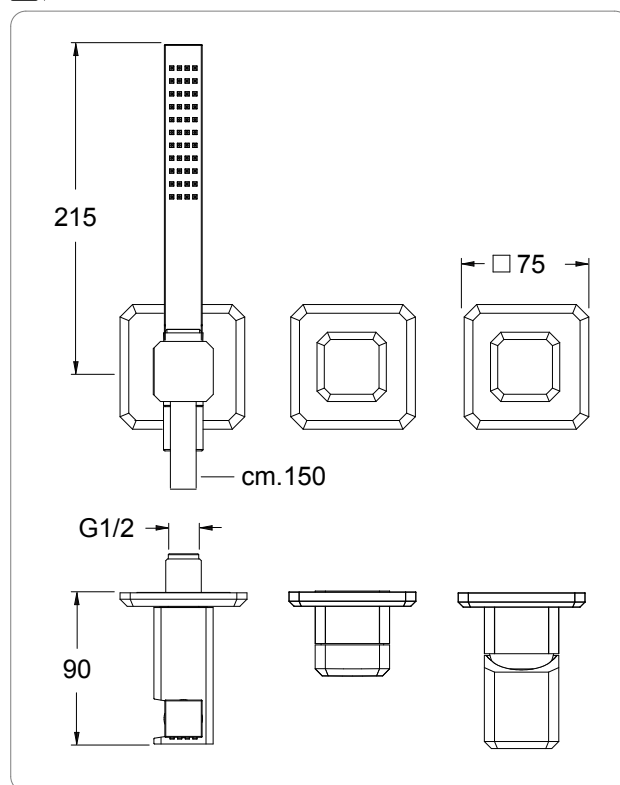
Lorena-SC-610

Shower Controls with 2 and 3 Outlets

PARTS LIST



 MEASUREMENTS: mm



SPECIFICATIONS

Recommended operational pressure	1-5 bar
Maximum test pressure	16 bar
Maximum hot water temperature	70 °C
Recommended temperature	50-60 °C
Pressure difference between hot and cold water	max. 1,5 bar

IMPORTANT NOTE

- Installation to be performed by qualified personnel
- Before connecting to mains, bleed the pipes to avoid damage.



Lorena-SC-608

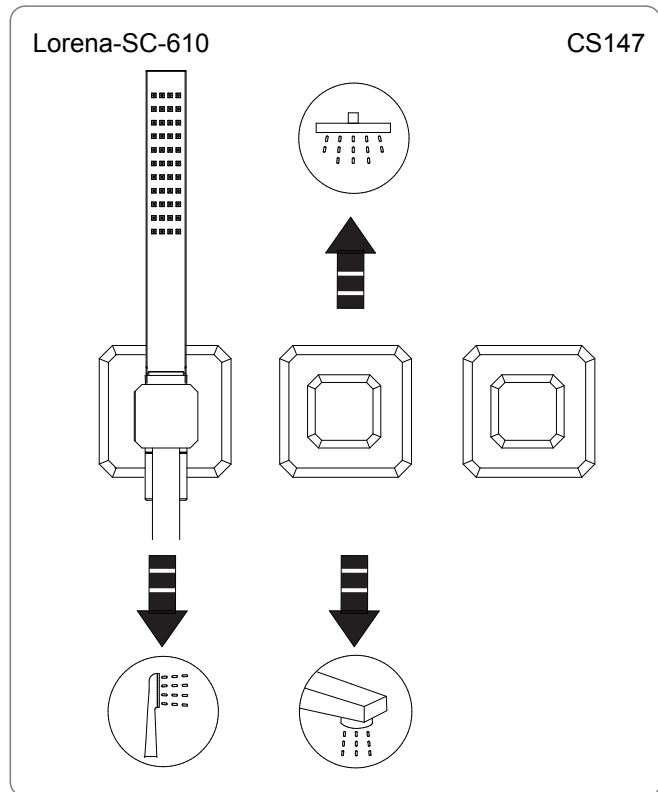
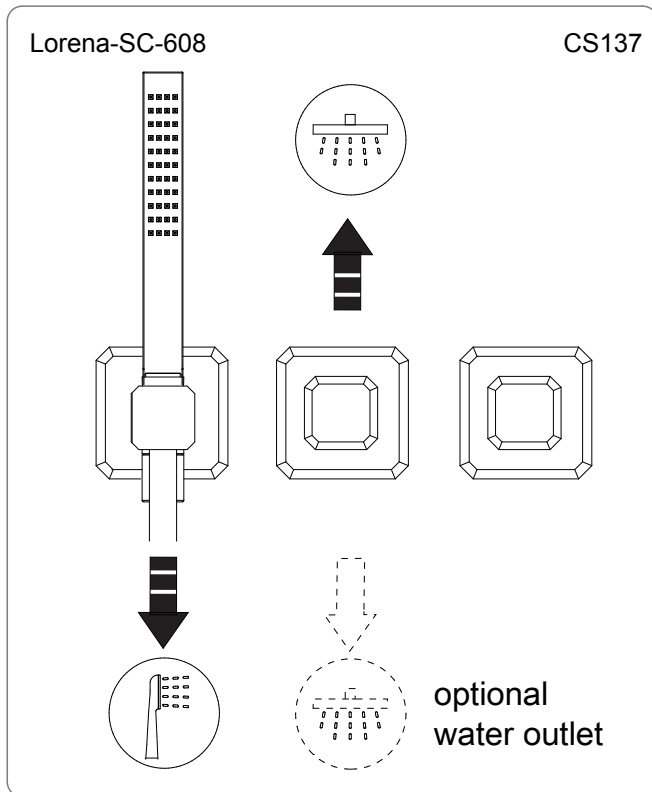
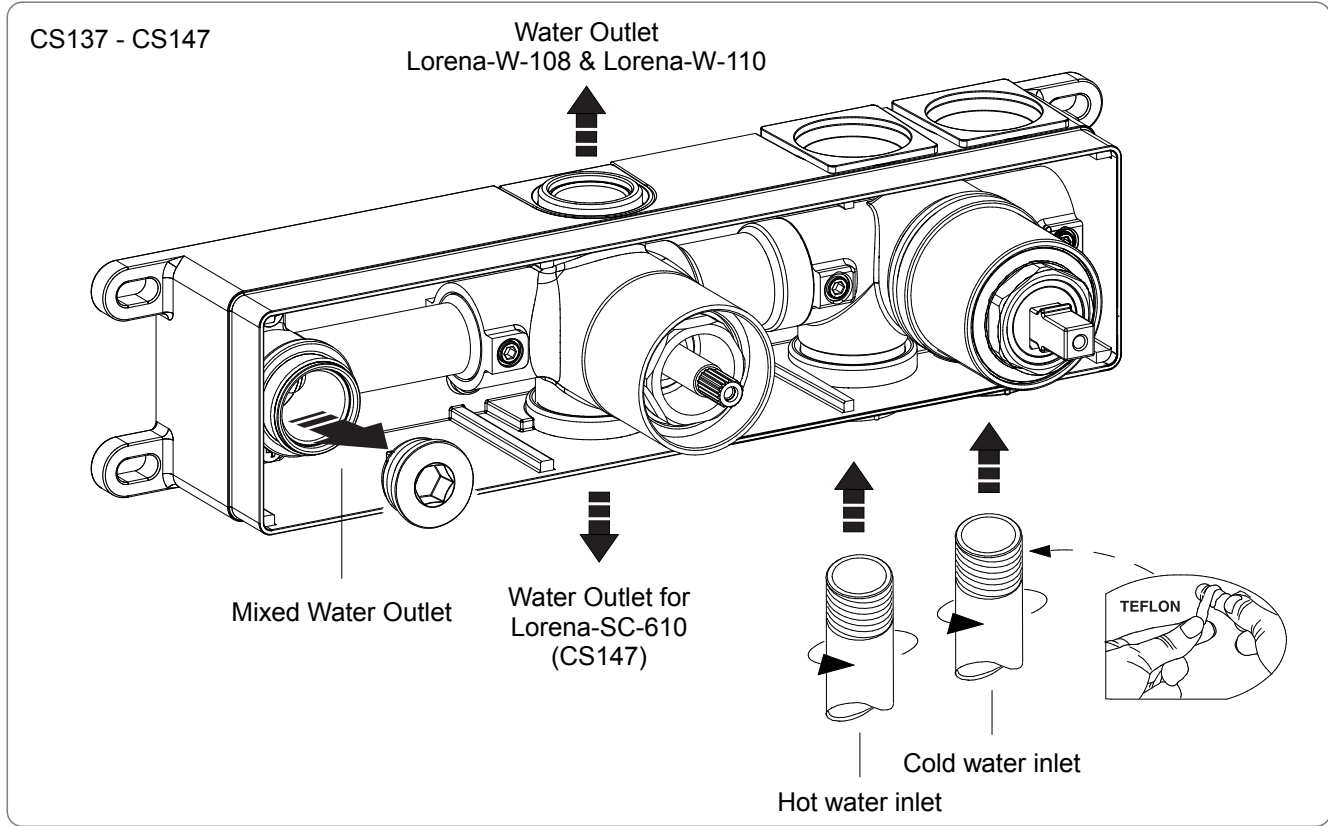
Lorena-SC-610

Shower Controls with 2 and 3 Outlets

aquatica®

Function, Form & Fashion

INSTALLATION



aquatica®

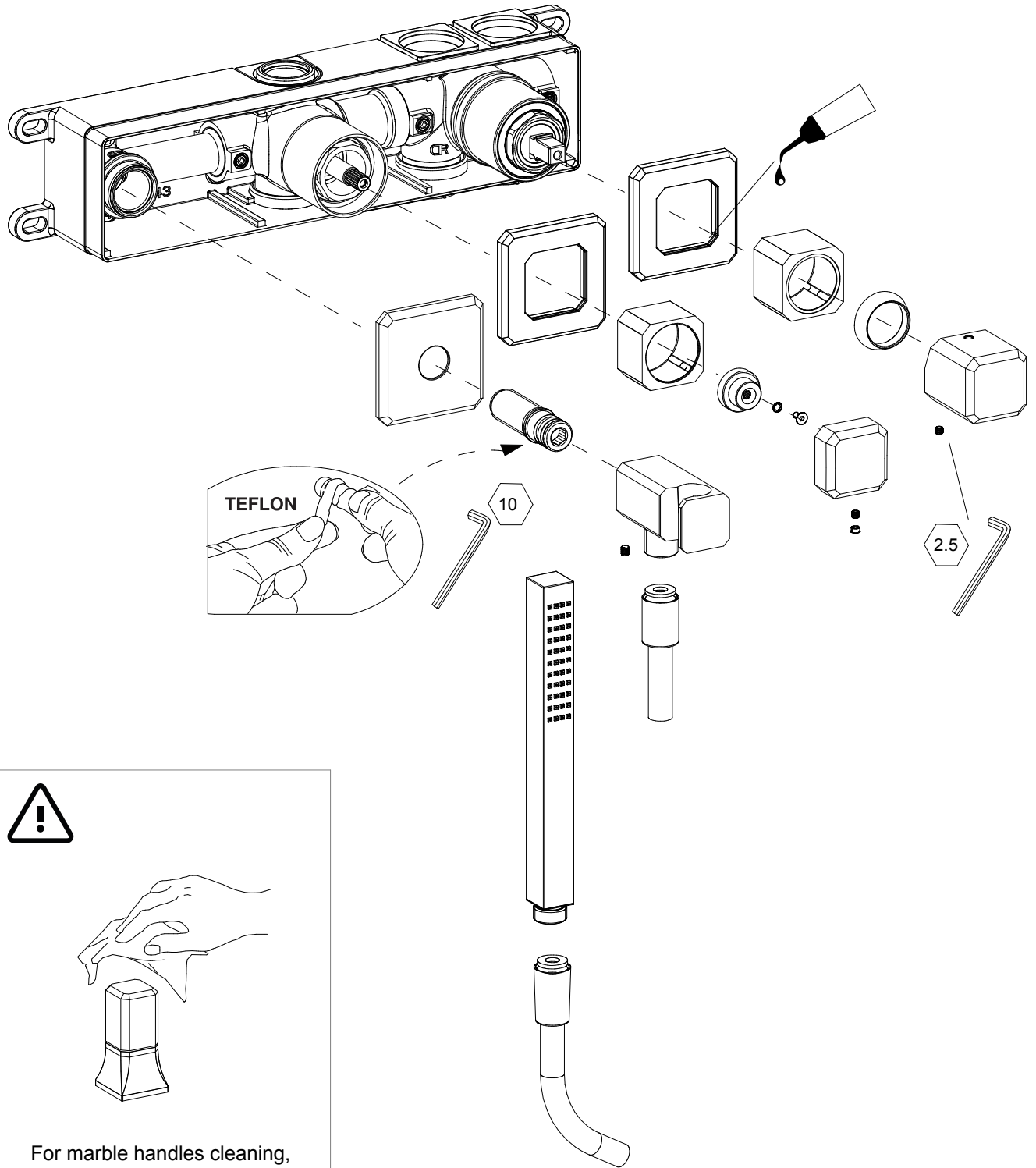
Function, Form & Fashion

Lorena-SC-608

Lorena-SC-610

Shower Controls with 2 and 3 Outlets

INSTALLATION



aquatica®

Function, Form & Fashion

